

R&J ENTERPRISES  
QUALITY AQUATIC FURNITURE

**FUSION SERIES**  
A Q U A R I U M S

## 29 Gallon Instructions

**Please read enclosed instructions  
in full prior to using this  
product**



R&J Enterprises  
Green Cove Springs, FL 32043  
Rjaquatics.com

## **FUSION SERIES LIMITED WARRANTY**

R&J Enterprises Warrants that this product will be free from defective components such as supplied electrical components and leaks or cracks due to product materials or craftsmanship for 12 months from purchase date. If product defect arises, R&J Enterprises will inspect the damage in question to determine if the defect is under warranty. If defect is covered under warranty R&J Enterprises will either repair or replace the defective product without charge. No refunds will be given. Warranty only extends to the original purchasing consumer and cannot be transferred or assigned.

Warranty will not be honored to damage from product misuse, abuse, lack of maintenance, failure to adhere to safety and proper installation instructions, use of product in a non-standard electrical supply, or any other defect that arises from improper use of the product and or its components. R&J Enterprises warranty on this product will not be effective until R&J Enterprises product is shown to have been used properly in accordance with R&J safety and installation instructions provided with the product. This product warranty will also not be granted if product is not used on a flat level surface as explained in instructions.

This concludes R&J's entire warranty and R&J makes no other promised warranties, either expressed or implied for this product.

R&J has no obligations under this warranty unless the consumer notifies R&J in writing of any defect within 30 days of discovering the defects. Any notice to R&J must be delivered by United States or Electronic mail to the below addresses:

**Mail:**

R&J Enterprises  
Attn: Warranty Department  
981 Martin Ave  
Green Cove Springs, FL 32043

**Email:**

Sales@rjaquatics.com

Thank you and enjoy your R&J Product.

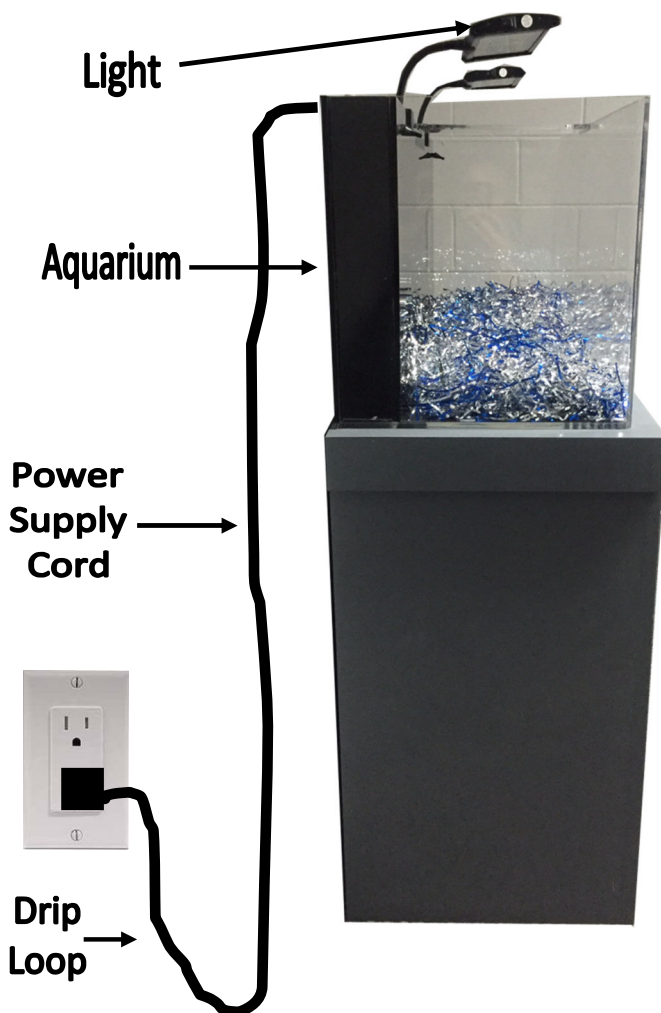
# IMPORTANT SAFETY INSTRUCTIONS

1. WARNING: To prevent injury, follow safety precautions below:

## READ & FOLLOW ALL SAFETY INSTRUCTIONS

2. DANGER: To prevent possible electrical shock, special care should be exercised since water is involved in the use of this product. Read each below and do not attempt to repair by yourself, contact R&J to find an authorized service center location or discard the product:

- A. If the light falls into the water, DO NOT reach for it! First unplug the light and then pull it from the water. If the light is getting wet at all unplug it immediately.
- B. If the light shows any sign of abnormal water leakage, immediately unplug the light.
- C. Examine the light after install. It should not be plugged in if there are visible signs of water on parts.
- D. Do not operate the light if the cord or plug is damaged, or if the light is malfunctioning or been damaged.
- E. To avoid the light cord from dripping water into your outlet receptacle, position the cabinet and tank to one side of wall receptacle. A "drip loop," shown below, must be used when plugging in any portion of the Fusion Series into a wall receptacle.



3. Use of this product near children requires careful supervision.

4. To prevent injury, do not touch moving or hot parts such as bulbs or lamps.

5. Always unplug the product when not in use, before adding or removing parts, and prior to cleaning. To unplug grasp plug and pull to unplug, never yank by cord.

6. Make sure the light is securely mounted prior to operation.

7. Read and follow all important notices on the light.

8. The product must be plugged into a receptacle that is controlled by a GFI (Ground Fault Interrupter)

9. Do not cover lights as overheating could occur.

## **SAVE THESE INSTRUCTIONS**

### **IMPORTANT SAFETY INFORMATION: Please read precautions before use!**

1. To reduce the risk of electric shock, always unplug the pump and power cords prior to any maintenance.
2. Never allow small children to climb on, play with or touch aquarium or cabinetry. Adult supervision is required.
3. Never place aquarium on the floor, it can become damaged
4. The cabinetry and aquarium require a level sturdy surface in order to prevent injury or damage to the product. Unlevel surface can cause aquarium to leak, crack or even fall over.
5. It is recommended that the aquarium cabinetry be tethered to a wall to prevent a top heavy tipping situation.
6. Do not allow the aquarium pump (s) to operate dry at any time.
7. Always observe proper maintenance to ensure optimal operation.

### **HANDLE WITH CARE! Always handle aquarium with care to prevent personal injury.**

1. Never lift or move an aquarium that is not completely empty.
2. Never lift aquarium with sweaty or wet hands
3. Never lift the aquarium by center support bar or top edges of aquarium.
4. Always lift or carry an empty aquarium by supporting it from the bottom.

### **AQUARIUM IDEAL LOCATION**

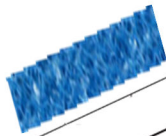
1. The aquarium should be placed in a location that can handle the total weight of the aquarium and the cabinetry. A filled aquarium is approximately 10-12 lbs. per gallon of water and then add sand or gravel, rocks and decor.
2. Always place an aquarium in a flat and level area.
3. Avoid placing aquarium where it will receive direct sunlight as it will cause algae growth.
4. Keep aquarium in a well ventilated area away from heating and cooling vents.
5. Do not place aquarium near other household electrical appliances as moisture from aquarium could damage other products.

## PARTS INCLUDED

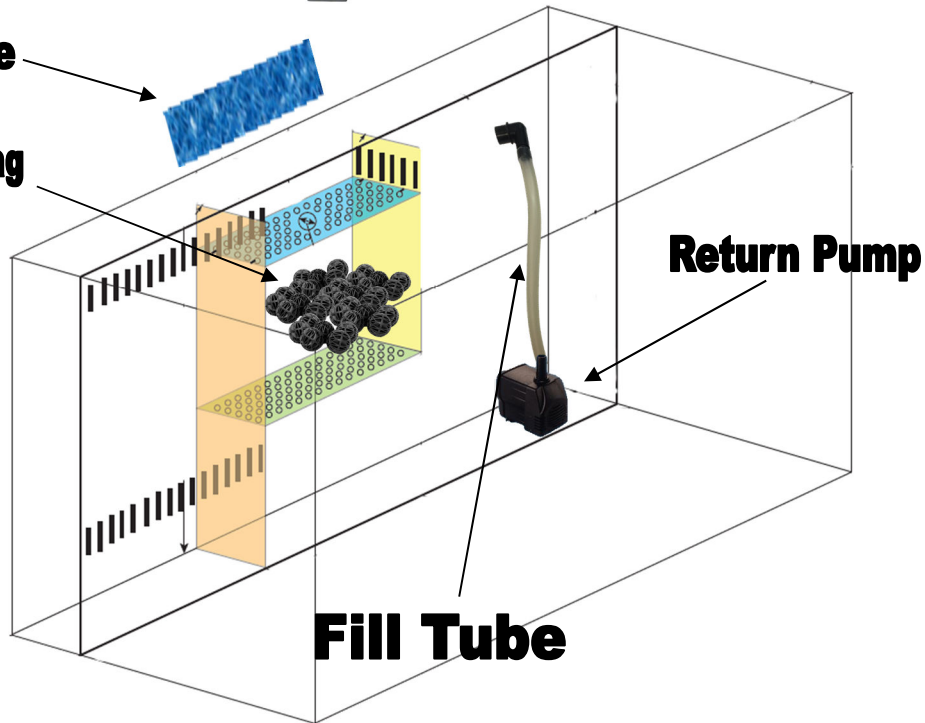
**LED Light**



**Filter Sponge**



**Bio Balls - 1 Bag**



**Return Pump**

**Fill Tube**

## PRODUCT SPECIFICATION

- **Fusion Tank: 29 Gallons**
- **Tank Dimensions: 28.5"L x 14"W x 16"H**
- **LED Light: 24 - .5 Watt LED Bulbs (12 Watt Light)**
- **Pump Flow Rate: 264 gph (1000 L/H)**

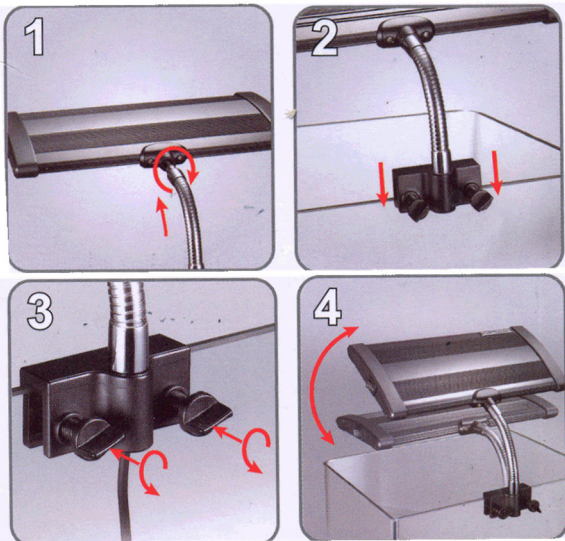
# Assembly

## Safety Precautions:

1. Do not plug any tank accessories into outlet until setup is completed.
2. Inspect the aquarium prior to installation to make sure it is free of damage.

## Light Assembly:

1. Remove LED lights from box and follow instructions below for assembly.



## Filling & Startup

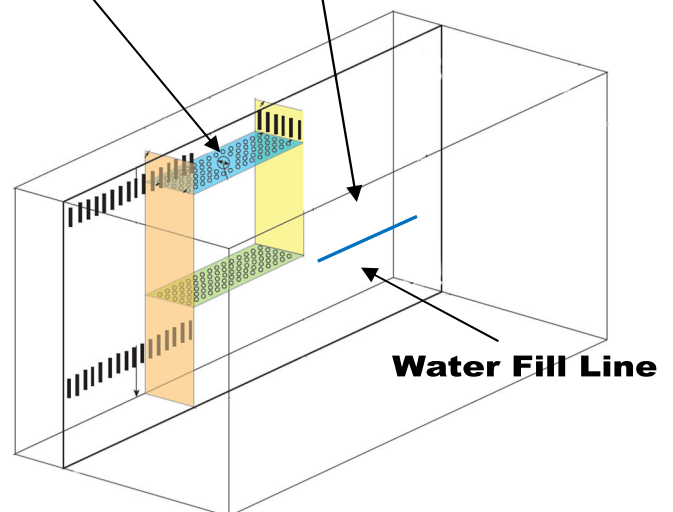
1. Make sure cabinet is on a flat level surface prior to filling with water. (do not fill with water if you do not have a level surface)
2. Add any sand, other substrate and decorations to bottom of tank.
3. Once level, fill aquarium with water until the far right chamber where pump is located of the wet/dry filter section is about 2 to 3 inches above the top of the pump.
4. Plug in pump and carefully watch the water level. The chamber containing the pump should always be at least 2 to 3 inches above the top of the pump. If you see air bubbles blowing into tank you will need to add water to bring the center chamber water level up to normal. (average tank will need more water about every 2 to 3 days)

## Wet/Dry Filter Installation

1. Remove filter chamber cover and insert bio balls evenly into both chambers.
2. Replace filter chamber cover and place filter sponge over top of chamber cover.
3. Attach clear return tube to top of each pump and insert pumps into return chamber.
4. Attach other end of each clear return tube to each return nozzle.

Filter Chamber Cover

Pump Chamber



Water Fill Line

If you have any questions on installation please e-mail customer service at [customerservice@rjaquatics.com](mailto:customerservice@rjaquatics.com) for help.

## Caring for your Fusion Series

### Caring for your Fusion Series:

1. The cabinet that is designed for the Fusion Series is real wood furniture. If you spill water from the tank on the finish you will need to wipe it off immediately to prevent damage to cabinet
2. Clean the exterior of the tank with just a damp cloth and then wipe off with a dry rag.
3. Make sure you are careful not to clean with a rag that is dirty or coarse as you will scratch your acrylic tank.
4. As the blue filter sponge gets dirty you must rinse sponge clean to prevent excess build up. A dirty filter sponge will cause a dirty tank.
5. As the tank cycles and starts growing algae the bio balls will grow bacteria, this is normal, never clean the bio balls.
6. For saltwater tanks keep the light fixture and top of tank clean from the salt buildup as it may harm your tank and light.

E-mail [sales@rjaquatics.com](mailto:sales@rjaquatics.com)  
for replacement sponges and parts.

**Thank you for purchasing the Fusion Series!**

**R&J Enterprises**